

USED ON
C 4033

BD. POS.	W/F	SOURCE	IMMEDIATE CONNECTIONS
23		NC	
24		NC	
25		NC	

23	J1'	20/3	35/8
24	J5	52/R	
25	J9	48/R	

23	J2'	20/5	36/10
24	J6	51/R	
25	J10	45/R	

23	JTPC	47/24	47/23 24/L
24	JTPC	47/24	23/L 25/L
25	JTPC	47/24	24/L

23		NC	
24		NC	
25		NC	

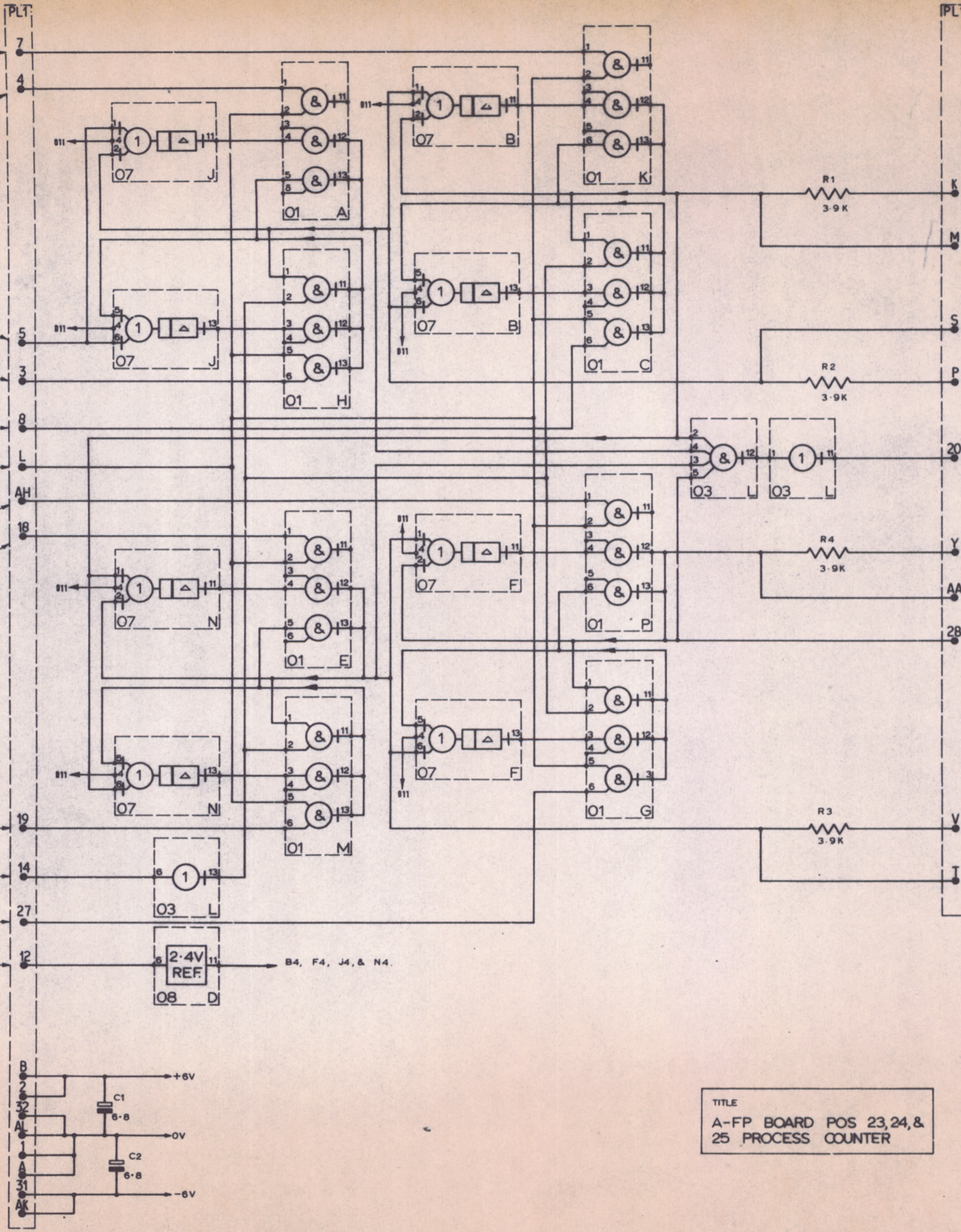
23		NC	
24		NC	
25		NC	

23	J3'	20/7	
24	J7	50/R	
25	J11	44/R	

23	WFR	5/13	24/14
24	WFR	5/13	23/14 25/14
25	WFR	5/13	24/14

23	J4	53/R	63/L
24	J8	49/R	
25	J12	43/R	

23	PULSE GEN MARGINS	30/10	24/12
24	"	30/10	23/12 24/12
25	"	30/10	24/12



BD. POS.	W/F	FINAL DEST.	IMMEDIATE CONNECTIONS
23	(PC2)	SKT2/AA	
24	(PC6)	SKT2/EE	
25	(PC10)	SKT2/JJ	

23	PC2	22/22	
24	PC6	N.C.	
25	PC10	N.C.	

23	PC1	22/23	
24	PC5	N.C.	
25	PC8	N.C.	

23	PC1/4*	22/U	
24	PC5/12*	22/X	
25	PC5/12*	22/X	

23	(PC4)	SKT2/CC	
24	(PC8)	SKT2/GG	
25	(PC12)	SKT2/LL	

23	PC4	22/21	
24	PC8	N.C.	
25	PC12	N.C.	

23	PC4	24/5	
24	PC8	25/5	
25			

23	(PC3)	SKT2/BB	
24	(PC7)	SKT2/FF	
25	(PC11)	SKT2/KK	

23	PC3	22/Y	
24	PC7	N.C.	
25	PC11	N.C.	

TITLE
A-FP BOARD POS 23,24,
& 25 PROCESS COUNTER

22

LATEST MI INCORPORATED: MI 2458 2998

ISSUE No.	1	MATERIAL	FINISH	ELLIOTT BROTHERS (LONDON) LTD
ALT ^m No.	1740			
DATE	23/6/66			TITLE A-FP BOARD POS 23,24, & 25 PROCESS COUNTER
INITIALS	S.S.			
PARTS LIST No.		DRAWN	D&D	CHECKED
				CS 6/12
				DATE
				7-11-66
				SCALE
				DRAWING No.
				322D 5214